

VSSI Patented V-Top Surgery Tables

Lead the Industry in Innovation

Optional Heated Top

maintains thermal support to prevent hypothermia without the risk of overheating. Unique low voltage heated surface for additional safety. Heat is dispersed evenly across the tabletop.

Adjust Tilt Angle with Single Finger-Tip Control

All table top adjustments are made with one-handed "squeeze and release" control levers which allow simple adjustment with no knobs to loosen and then tighten.



Table Top Tilts From Level to 42°

One-Hand, Finger-Tip Control Adjusts Side Panels From Flat to 95° "V" via smooth operating pneumatic cylinders.

Reservoir Drainage System

Center drain trough slides out easily for cleaning. Built-in reservoir is removable for faster clean-up and more aseptic environment.



18 gauge stainless steel top panels measure 50" long by 9 7/8" wide. Has 1 1/8" thick inner board for a solid, quiet working surface.



Table Top and V-Panels Are Counterbalanced by pneumatic cylinders for easier positioning of the animal.

Patent No. 5,826,286

Properly Positioned Tie-Downs

Attachment rails are logically fastened to the sides of the tabletop – not to the frame. Quick-release restraint cleats are always the same height as your patient's body.

Low Profile Weighted Base

Table will not tip. Base height of only 1 3/4" allows the surgeon to get close to the working surface while either standing or sitting. Adjustable feet compensate for uneven floors.

Electrically Powered Column - Adjust height by simply touching a foot pad. Built-in thermal safety features. Two-year warranty.

Hydraulic Column Tables have "hands-free" height adjustment – pump foot pedal to raise, depress pedal to lower – no knobs to loosen!



V-Top Surgery Tables



Patent No.
5,826,286

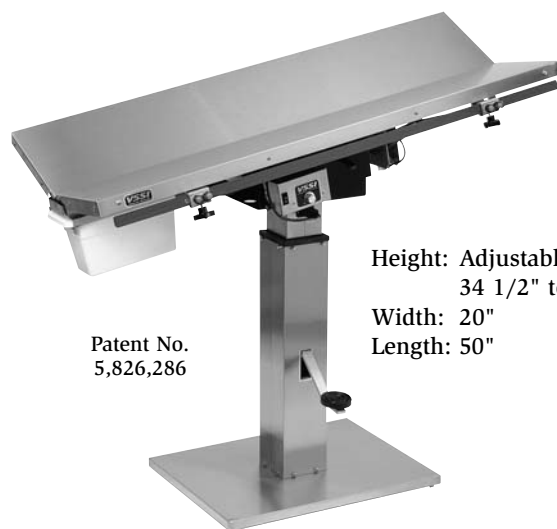
Height: Adjustable from
29 1/2" to 41 1/2"
Width: 20"
Length: 50"

V-Top Surgery Table with Adjustable Electric Column

- Self-contained electric column requires no maintenance (Column is covered by full 2-year warranty)
- Full 12" up and down height adjustment
- Electric lift column quietly and smoothly raises and lowers
- Available accessories: table top extension, rail extensions to accommodate larger animals and casters for easy mobility

100-3041-21 Heated Top

100-3041-01 Without Heated Top



Patent No.
5,826,286

Height: Adjustable from
34 1/2" to 42 1/2"
Width: 20"
Length: 50"

V-Top Surgery Table with Adjustable Hydraulic Column

- Self-contained hydraulic column requires no maintenance
- Convenient 8" up and down height adjustment
- Available accessories: table top extension, rail extensions to accommodate larger animals and casters for easy mobility

100-4041-21 Heated Top

100-4041-00 Without Heated Top



Patent No.
5,826,286

Height: 36"
Width: 20"
Length: 50"

V-Top Surgery Table with Pedestal Column

- Available accessories: table top extension, rail extensions to accommodate larger animals and casters for easy mobility

100-0041-23 Heated Top

100-0041-00 Without Heated Top

VSSI Flat-Top Surgery Tables Offer Many Convenient Practical Features

Optional Heated Top

maintains thermal support to prevent hypothermia without the risk of overheating. Unique low voltage heated surface for additional safety. Heat is dispersed evenly across the tabletop.

20 Gauge Stainless Steel Top with Raised Anti-Drip Edges and Drainhole

to contain messes and make clean-up easy.

Includes Hook for Drain Bucket

(Bucket must be purchased separately - see accessories, page 68) ▶



Properly Positioned Tie-Downs

Attachment rails are logically fastened to the sides of the tabletop – not to the frame. Quick-release restraint cleats are always the same height as your patient's body.



Adjust Tilt Angle with Single Finger-Tip Control

All table top adjustments are made with one-handed "squeeze and release" control levers which allow simple adjustment with no knobs to loosen and then tighten.



Table Top Tilts From Level to 42°

Table Top Is Counterbalanced by pneumatic cylinders for easier positioning of the animal.

Top measures 50" long by 22" wide. Has 1 1/8" thick inner board for a solid, quiet working surface.

Low Profile Weighted Base

Table will not tip. Base height of only 1 3/4" allows the surgeon to get close to the working surface while either standing or sitting. Adjustable feet compensate for uneven floors.

Electrically Powered Column - Adjust height by simply touching a foot pad. Built-in thermal safety features. Two-year warranty.

Hydraulic Column Tables have "hands-free" height adjustment – pump foot pedal to raise, depress pedal to lower – no knobs to loosen!



VSSI Flat-Top Surgery Tables



Height: Adjustable from
28 1/2" to 40 1/2"

Width: 22"

Length: 50"

Flat Top Surgery Table with Adjustable Electric Column

- Self-contained electric column requires no maintenance. (Column is covered by full 2-year warranty)
- Full 12" up and down height adjustment
- Available accessories: table top extension, rail extensions to accommodate larger animals, drain bucket, and casters for easy mobility

100-3251-21 Heated Top

100-3251-01 Without Heated Top



Height: Adjustable from
34 1/2" to 42 1/2"

Width: 22"

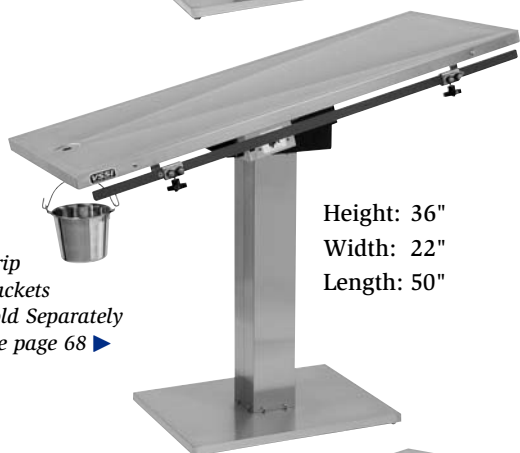
Length: 50"

Flat Top Surgery Table with Adjustable Hydraulic Column

- Self-contained hydraulic column requires no maintenance
- Convenient 8" up and down height adjustment
- Available accessories: table top extension, rail extensions to accommodate larger animals, drain bucket, and casters for easy mobility

100-4251-21 Heated Top

100-4251-01 Without Heated Top



Drip Buckets Sold Separately see page 68 ▶

Height: 36"

Width: 22"

Length: 50"

Flat Top Surgery Table with Pedestal Column

- Available accessories: table top extension, rail extensions to accommodate larger animals, drain bucket, and casters for easy mobility

100-0251-23 Heated Top

100-0251-00 Without Heated Top



Height: 36"

Width: 22"

Length: 50"

Flat Top Surgery Table with Manual Control

- Built to the same high-quality standards as other VSSI surgery tables, but with the budget conscious in mind
- Simple rotation of manual lever is required to loosen and tighten the tilt mechanism
- Available accessories: table top extension, rail extensions to accommodate larger animals, drain bucket, and casters for easy mobility

100-3440-50 Without Heated Top

Surgery Table Accessories



Table Top Extensions

- 16 gauge, 304, #4 polished stainless steel
- 10" extension; can be added to each end to increase table length by 20"

200-3041-10 V-Top Extension

200-3251-10 Flat-Top Extension



Rail Extension Set with Cleats

- Rail extensions slide out of the way when not in use
- Each pair of extensions includes two quick-release tie-down cleats
- 14" rail extensions accommodate larger animals by extending tie-downs past the end of the table
- Extensions fit onto any VSSI surgery table

200-3041-01 Rail Extension Set with Cleats



Caster Set for Surgery Tables

- Casters will raise the height of the table 4"
- Locking casters lock and unlock easily with step-on control
- Each set includes four swivel locking casters
- Casters may be ordered with any surgery table to provide easy mobility

200-3041-05 Caster Set for Surgery Tables



Drip Bucket

- Easy to clean
- Available in 13 qt. or 2 qt.
- Extremely durable stainless steel
- For flat top surgery tables

200-3041-02 Large Drip Bucket, 13 qt.

200-3041-03 Small Drip Bucket, 2 qt.



Large Cradle:

Animals over 70 lb.
Height: 7 3/4"
Width: 19 3/4"
Length: 19 1/2"

Small Cradle:

Animals up to 30 lb.
Height: 3 1/2"
Width: 9 1/2"
Length: 13 1/2"

Medium Cradle:

Animals 30 - 70 lb.
Height: 6"
Width: 14 1/4"
Length: 17 1/2"

Surgical & Radiographic Positioning Cradles

- Small, medium, and large cradle in each set
- Saves time and money
- Molded polymer construction is extremely durable
- Radiolucent for use during X-ray, also ideal for surgery
- Eliminates the need for cumbersome sandbags
- More closely matches body contour than older positioners
- Three sizes accommodate animals ranging in size from small dogs and cats to large breeds over 100 pounds

175-9000-00 Set of 3 Positioning Cradles